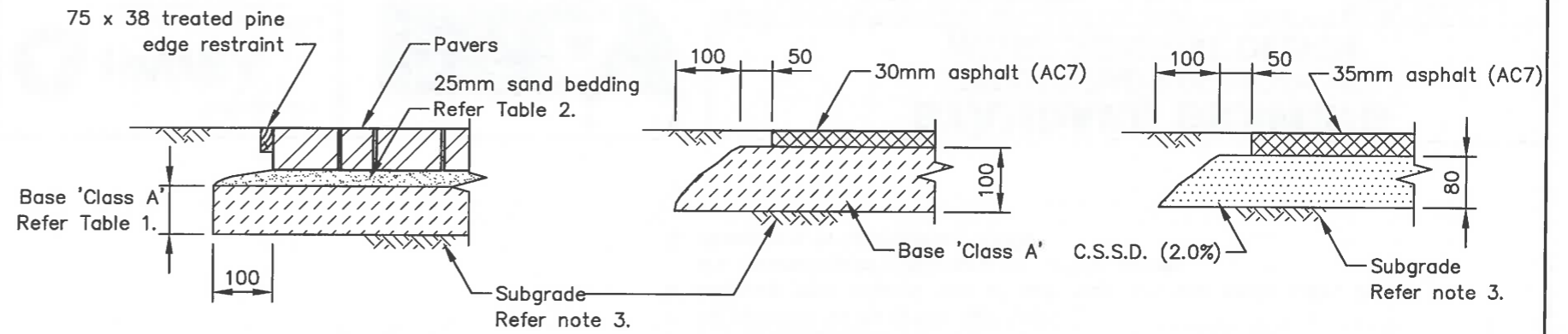
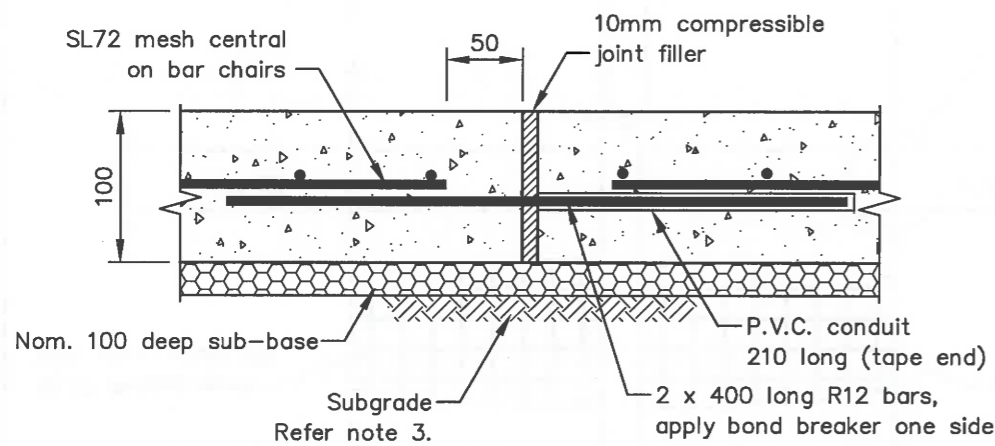


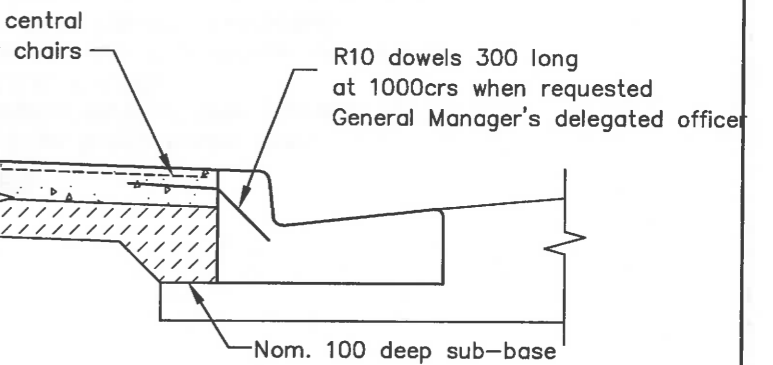
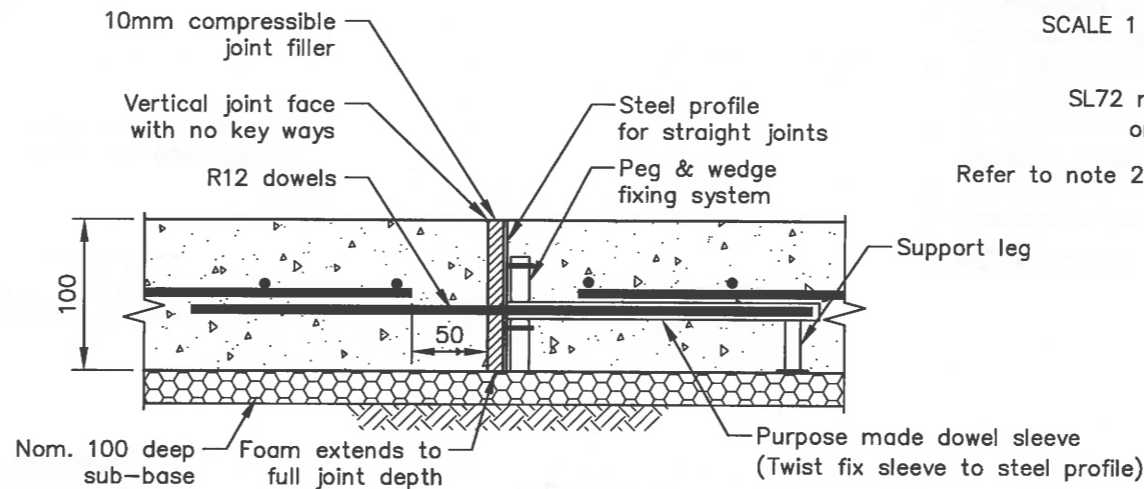
'CONNOLLY' KEY JOINT  
OR APPROVED SIMILAR  
SCALE 1 : 5



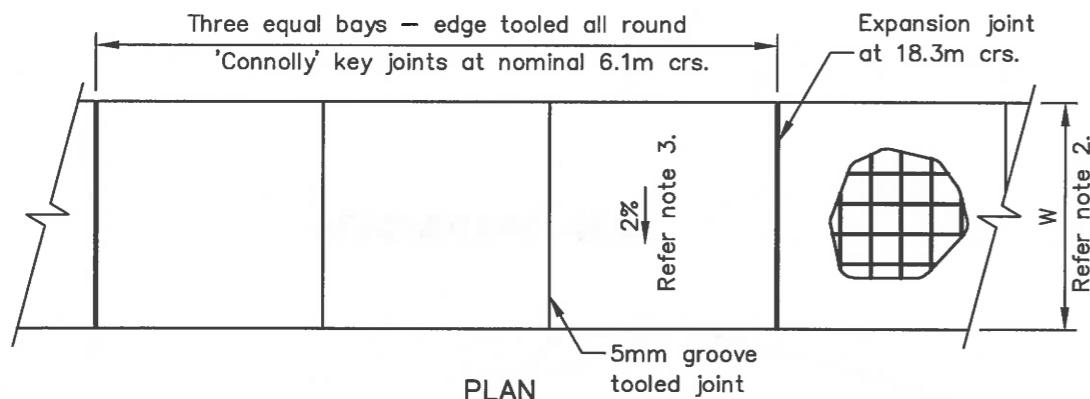
PAVED ASPHALT CEMENT STABILISED STONE DUST  
PAVEMENT DETAILS  
SCALE 1 : 10



'CONNOLLY' EXPANSION  
OR APPROVED EQUIVALENT  
N.T.S



ADJACENT TO KERB  
SCALE 1 : 10



PLAN  
SCALE 1 : 50  
REINFORCED CONCRETE FOOTPATH

NOTES

- Concrete - N25, nominal 60 slump continuously broom finish surface.
- Generally 'W' = 1.5m when footpath is adjacent to kerb and channel and elsewhere. The General Manager's delegated officer may:
  - Approve reduced footpath width where pedestrian traffic is low or where physical constraints exist. Min width 1.2m.
  - Require increased footpath width where pedestrian traffic is high.
  - Require increased footpath width to 1.8m around head of cul-de-sac adjacent to kerb and channel.
- The General Manager's delegated officer may:
  - Approve crossfalls to a maximum of 4% where physical constraints exist.
  - Increase depth of base course(s) for sub-grade strength (C.B.R. < 4.0%)
- Treated pine to comply with 'AS.1604-1997' (Timber - Preservative Treated - Sawn and Round).
- Fibre reinforcement are permissible but must be approved by general manager's delegated officer of local council.

TABLE 1

| PAVER TYPE    | BASE 'CLASS A' |
|---------------|----------------|
| 65mm Clay     | 75mm           |
| 40mm Concrete | 100mm          |
| 60mm Concrete | 80mm           |

TABLE 2 - SAND GRADINGS FOR PAVERS

| AS. SIEVE SIZE<br>(mm) | BEDDING SAND |          | JOINTING SAND |         |
|------------------------|--------------|----------|---------------|---------|
|                        | CONCRETE     | CLAY     | CONCRETE      | CLAY    |
|                        | % PASSING    |          | % PASSING     |         |
| 9.52                   | 100          | 100      |               |         |
| 4.75                   | 95 - 100     | 90 - 100 |               |         |
| 2.36                   | 80 - 100     | 75 - 100 | 100           | 100     |
| 1.18                   | 50 - 85      | 55 - 90  | 90 - 100      | 75 - 95 |
| 600 Microns            | 25 - 60      | 35 - 59  | 60 - 90       | 50 - 80 |
| 300 Microns            | 10 - 30      | 8 - 30   | 30 - 60       | 20 - 45 |
| 150 Microns            | 5 - 15       | 0 - 10   | 15 - 30       | 5 - 15  |
| 75 Microns             | 0 - 10       | 0 - 5    | 5 - 10        | 0 - 5   |

\* Refer 'Approved Products List' for jointing sand stabilisers and paving sealants.



SCALES: AS SHOWN  
(All scales are correct at A3)

XRef File: TSD-R11-v1.dwg

REFERENCES

© 2012  
This drawing and the information it contains is, and remains the property of the Local Government Association of Tasmania, and may only be used for the purpose of which it was intended. Reproduction of this drawing or its content in any format other than printed hard copies is strictly prohibited.  
It is the users responsibility to ensure this drawing is the current version. The current version can be downloaded from: [www.lgat.tas.gov.au](http://www.lgat.tas.gov.au)

TAS Division  
**IPWEA**  
INSTITUTE OF PUBLIC WORKS  
ENGINEERING AUSTRALIA

**LGAT**  
Local Government Association Tasmania

**STANDARD DRAWING**  
URBAN ROADS  
FOOTPATHS

GPO Box 1521, Hobart Tasmania 7001 | 326 Macquarie Street, Hobart Tasmania 7000  
T: 03 6233 5966 F: 03 6233 5986 Email: [admin@lgat.tas.gov.au](mailto:admin@lgat.tas.gov.au)

ISSUE DATE: 30-11-2013 DWG No.

TSD-R11-v1